




ROAD LINE PLAN

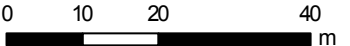
Terms & Conditions Apply

LEGEND

 Lines of Road Reserve

 Lands not included for this area

A3 L  Scale 1 : 1000



OPTIMA@TANAH MERAH

PO : 3262232524311D

29-09-2014